



# Internet controller E36

————— **E36** —————

## Product Specification

Version: Ver.2.0

# Update Record

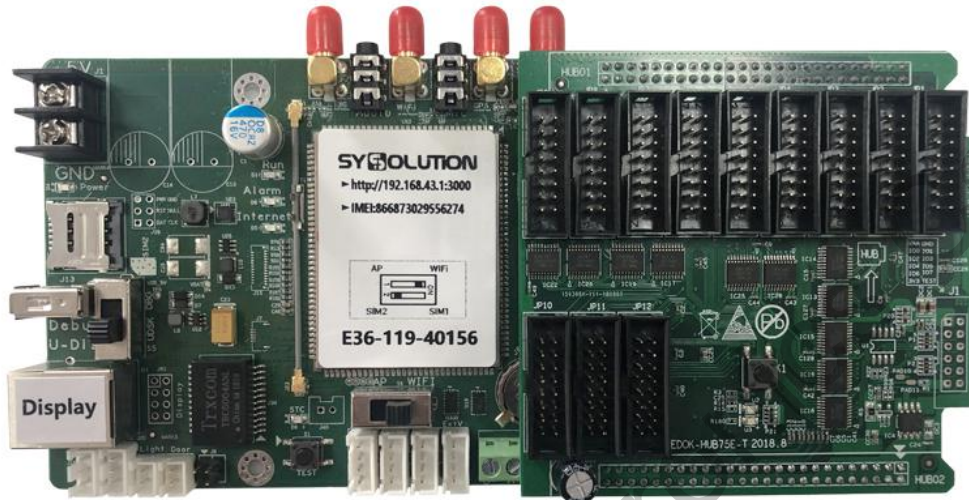
---

No.	Version	Remark	Date
1	Ver.1.0	First Version	2019.03.01
2	Ver.1.1	Parameter correction	2019.10.18
3	Ver.2.0	Add accessories	2020.03.04

Shanghai Xixun Electronics Co., Ltd

# Picture

---



E36 controller

# Functions

---

1. On board Wi-Fi, 4G, GPS, support AP function
2. Support sending programs via iPhone, iPad, Android cellphone in local network
3. Support AIPS cloud platform
4. Support SDK
5. Support upload programs by USB
6. Support high communication speed to 100MKbps
7. Highly sensitive GPS
8. Highly quakeproof

Shanghai Xixun Electronics Co., Ltd

# Parameter

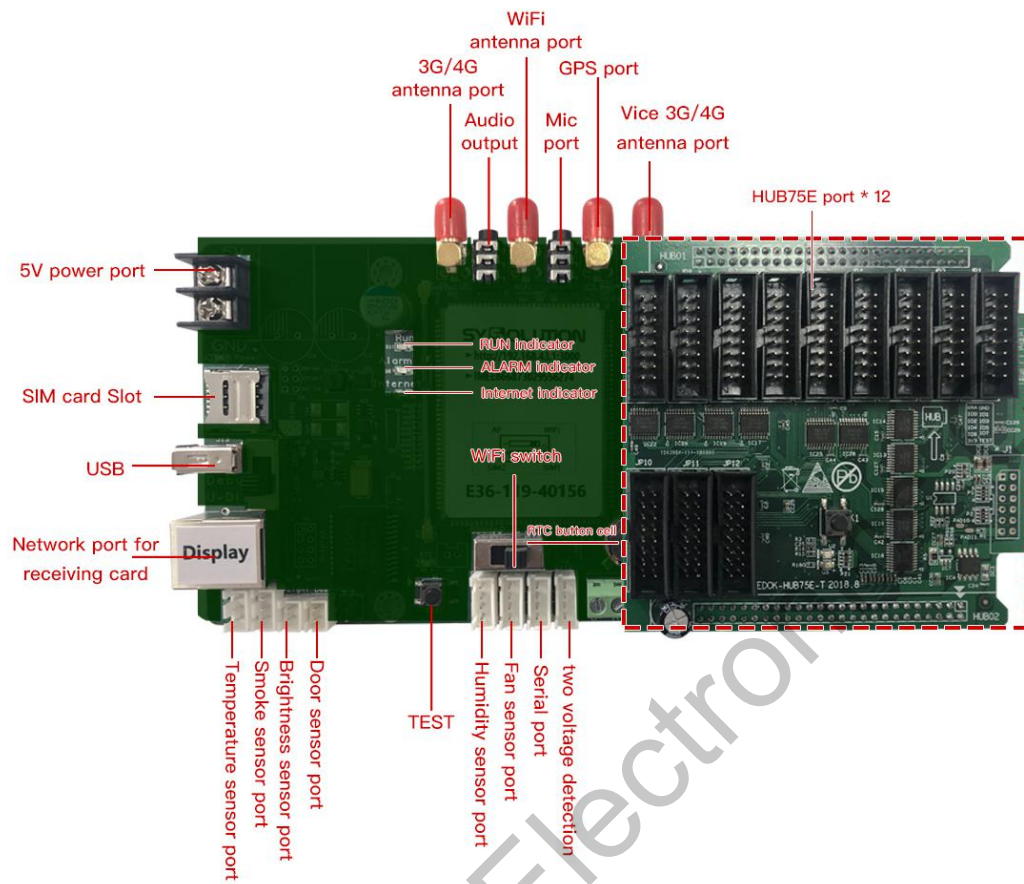
<b>Type</b>	Car sign controller
<b>Mode</b>	E36
<b>Resolution</b>	256*256 for single card, No receiving card, maximum 96000 pixels totally
<b>4G/3G</b>	Support
<b>WiFi</b>	Support
<b>HUB</b>	12 HUB75 port on board
<b>Display type</b>	Full color
<b>On board flash</b>	8GB
<b>Gray level</b>	65536
<b>LED module</b>	Any scan mode within 32 scan
<b>Communication</b>	4G/Wi-Fi/USB
<b>Audio</b>	Support
<b>GPS</b>	Support and also support fixed point
<b>Camera</b>	Support
<b>Weather</b>	Support
<b>Display content read back</b>	Support
<b>Timing</b>	Support

<b>Video format</b>	AVI,WMV,MPG,MOV,DAT,VOB,MP4,FLV
<b>Animation format</b>	gif,swf
<b>Image format</b>	bmp、jpg、 gif、 wmf、 ico
<b>Text</b>	txt、 rtf
<b>Text type</b>	Single/ multi-line text, static text
<b>Clock</b>	Digital/simulation clock
<b>Timer</b>	Timing and count down
<b>Software</b>	Cloud software AIPS (www.ledaips.com)
<b>Setting software</b>	EasyBoard

**Frequency:**

<b>WCDMA</b>	Band 1/2/5/8
<b>TDSCDMA</b>	Band 34/39
<b>FDD_LTE</b>	Band 1/3/7
<b>TDD_LTE</b>	Band 38/39/40/41
<b>GSM/GPRS/EDGE</b>	Band 2/3/5/8
<b>CDMA2000/EVDO</b>	BC0

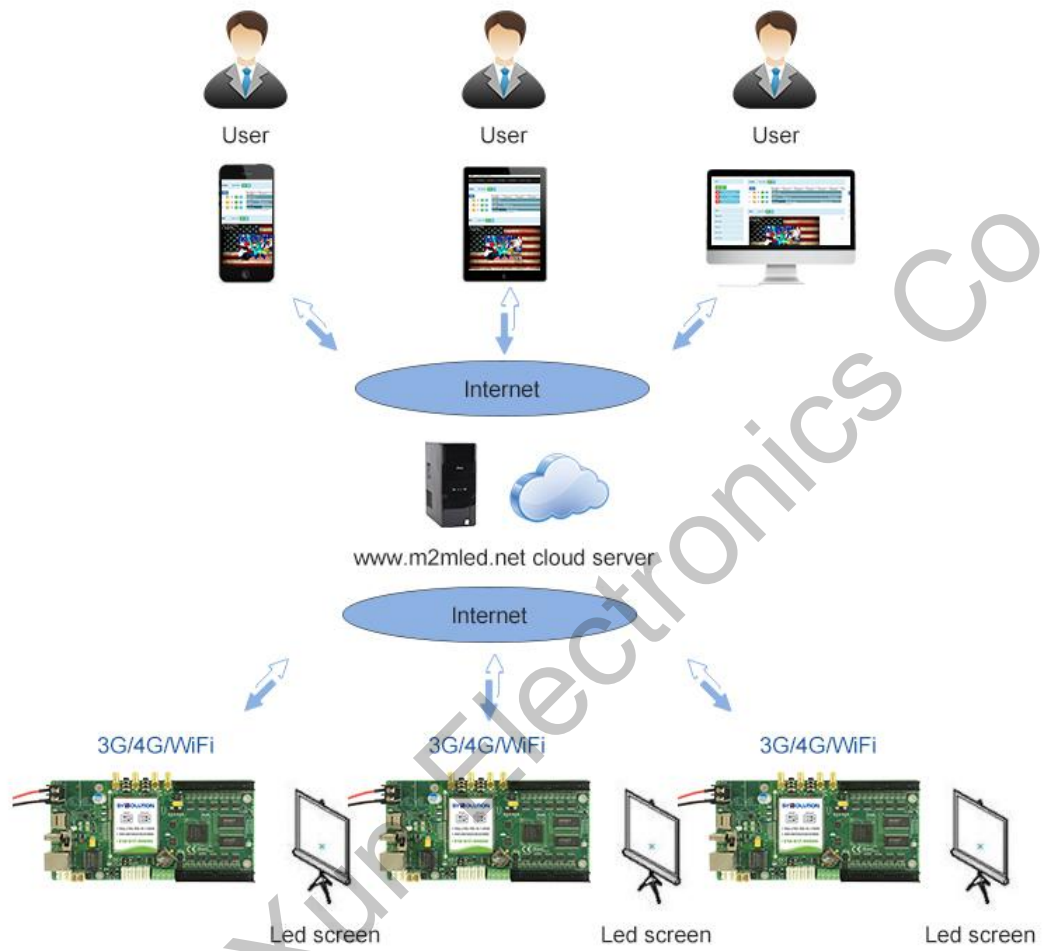
# Port and function



Port and function for E36



# Communication



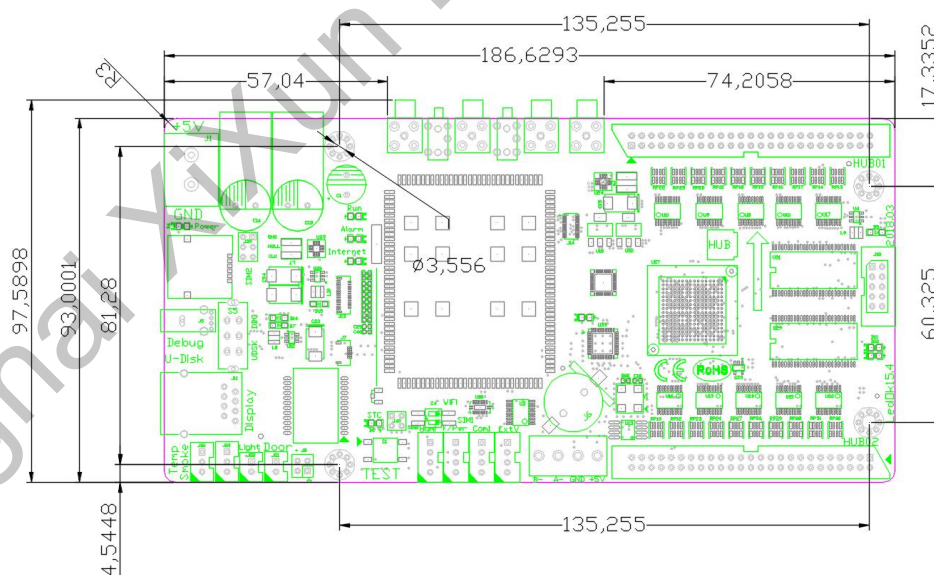
Communication diagram



# Operation Condition

General Parameter	
Work voltage (V)	4.5 ~ 6
Max operating current (A)	1
Max working consumption (W)	5
Work temperature (°C)	- 20 ~ + 60
Size (mm)	17.5 (Length) × 9.6 (width) × 2.5 (leigth)
Weight (g)	138

# Dimension



Unit:mm

# Accessories

---

Standard accessories	Size/Quantity
WiFi Sucker antenna	3m*1
4G Sucker antenna	3m*1

(If you need other accessories, please place an order)

Optional accessories	Accessories features
Humidity line RH1	Used to detect the humidity of the current external environment
Brightness line RL1	Used to sense the brightness of the current environment
Temperature probe RT1	Used to detect the temperature of the current external environment
G10	GPS Positioning antenna (length 0.8m)

Matched sensor wire (Optional, additional models are available according to the order)

## Cautions

---

1. Strictly prohibited to plug SIM card.
2. Strictly prohibited to plug PCIE module.
3. Strictly prohibited to plug HUB controller



4. Strictly Prohibited to Plug Antenna.

5. Try not to touch the chip and pin on the controller to prevent static electricity damage.

Shanghai Xixun Electronics Co., Ltd